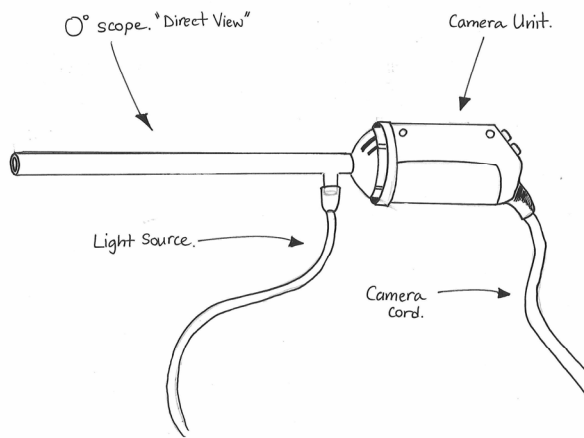




Laparoscopic surgery, also called *minimally invasive surgery* (MIS), *bandaid surgery*, or *keyhole surgery*, or *pinhole surgery* is a modern surgical technique in which operations in the abdomen are performed through small incisions (usually 0.5 - 1.5 cm) as compared to larger incisions needed in traditional surgical procedures.

Laparoscopic surgery includes operations within the abdominal or pelvic cavities, whereas keyhole surgery performed on the thoracic or chest cavity is called thoracoscopic surgery. Laparoscopic and thoracoscopic surgery belong to the broader field of endoscopy.



Zero Degree Scope (Direct View)

Attach the Zero-Degree Scope to the camera and the light source.

Be Aware! Light source is VERY HOT. It could burn you and your patient

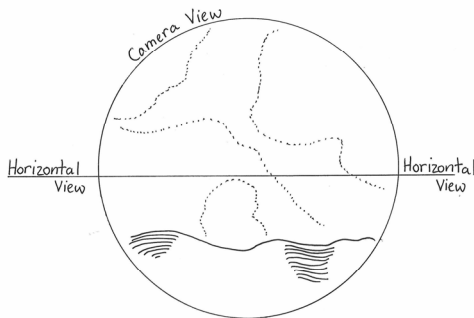
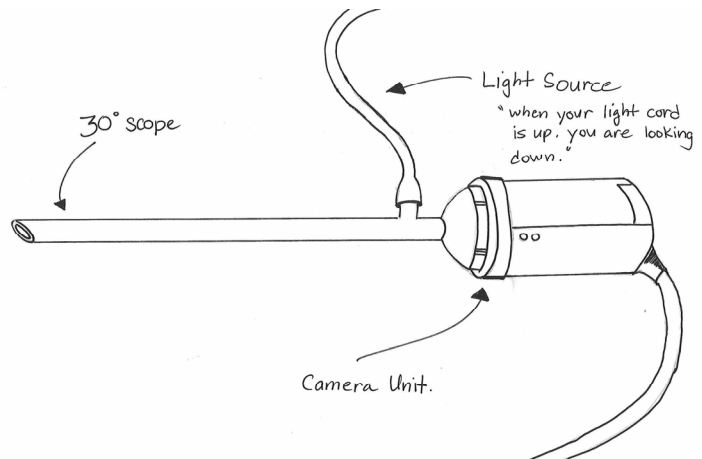
Do Not Touch the Buttons on the camera.

To Zoom: just move your camera scope in and out.

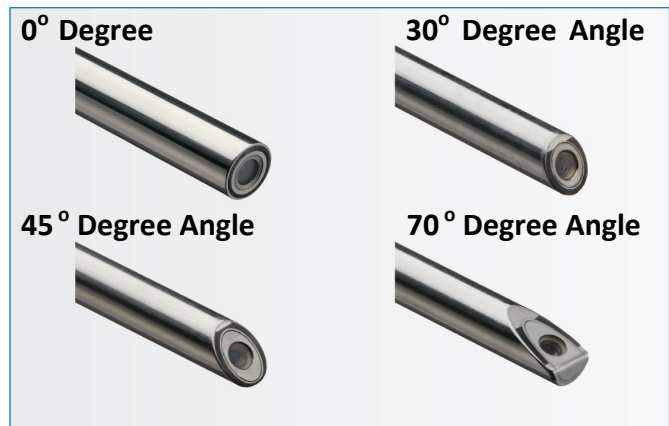
Thirty Degree Scope (Angle View)

Attach the Thirty Degree Scope to the camera and the light source.

To rotate the view, Do Not rotate your camera, just rotate the scope. Your camera should always be on a horizontal view.



Always keep the camera scope horizontal.



GRASPERS



Surgical Grasper (Claw Grip)

When using a grasper, keep your hand in a comfortable position and use the degree knob to change the angle of your grasper. Keep in mind that you must have a FULL view of your claws to prevent any internal damages to your patient.



3411 Cobra Tooth
Working Tip Length is 17.0mm (0.67 inches)
Jaw design provides an extremely secure grip. Improved traditional design for extraction of tissue.



3421 Cup Tooth
Working Tip Length is 12.7mm (0.50 inches)
Fine serrations and cup capture tissue. Provides precise grasping and versatility.



3431 Biopsy Punch
Working Tip Length is 18.5mm (0.73 inches)
Single action toothed jaw for tissue removal.

Significantly reduce the risk of tissue tears and perforation with Control Tip soft polymer, padded disposable graspers.

- Reduces trauma and eliminates unwanted forward movement
- Force is absorbed by the grasper instead of the tissue
- Non-latex padding and molded edge



3622 Atrau Grabber
Working Tip Length is 22.6mm (0.89 inches)
Our most versatile all-purpose Atraumatic grasper with polymer pads.



3632 Atrau Modified Raptor
Working Tip Length is 25.9mm (1.02 inches)
Aggressive jaw pattern with polymer pads provides a secure grip on soft tissue.



3642 Atrau Fenestrated
Working Tip Length is 23.0mm (0.90 inches)
Fenestrated jaws with polymer pads. Excellent for blunt dissection.



3652 Atrau Short Grabber
Working Tip Length is 11.2mm (0.44 inches)
Short design combined with polymer pads.

Precision Performance

Microline single-use Scissors offer the cleanest cut along the entire length of the blade—every time, for every procedure



3112 Metzenbaum*
Working Tip Length is 14.0mm (0.55 inches)



3122 Micro*
Working Tip Length is 11.2mm (0.44 inches)



3132 Hook*
Working Tip Length is 12.7mm (0.50 inches)



3142 Endocut*
Working Tip Length is 19.3mm (0.76 inches)



3152 Mini Endocut*
Working Tip Length is 13.5mm (0.53 inches)



3162 Delicate Metzenbaum*
Working Tip Length is 14.7mm (0.58 inches)



3201 Traditional
Working Tip Length is 15.5mm (0.61 inches)
Traditional design. Straight, short serrated jaws with proximal recess.



3231 Modified Traditional
Working Tip Length is 22.6mm (0.89 inches)
More aggressive jaw pattern with large smooth retrograde teeth for firm hold of heavy tissue and/or tissue extraction.



3251 Lapclinch
3252 Lapclinch*
Working Tip Length is 22.6mm (0.89 inches)
Microline's answer to the most popular disposable grasper patterns. Larger serration at tip and recessed proximal area.

Laparoscopic Rules

1. Insert the camera first. This will allow you to get a better view of the view of the internal area before inserting any other objects to prevent internal injuries.
2. Set the camera to view the port you will be inserting the Wavy Grasper. This is a preventive measure so you don't poke any internal objects.
3. Always keep the camera view with the Grasper.
4. Try to keep the camera stable and Do Not Touch any buttons.

